

ATTIC



**ATTIC DOOR
INSULATION**

***REDUCE UP TO 94% OF HEAT LOSS
AT YOUR ATTIC DOOR***

***SAVE ENERGY
SAVE MONEY
GREEN PRODUCT
SATISFACTION GUARANTEED***

**FULLY
QUALIFIES
FOR TAX
CREDITS**

ADDED VALUES

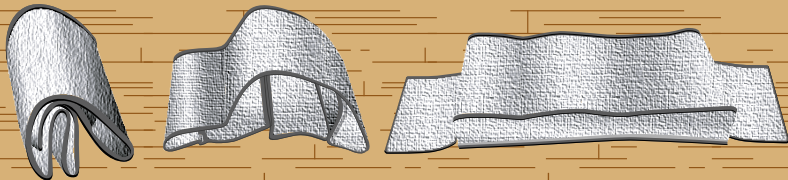
- ✓ *Easy to handle.*
- ✓ *No special tools required.*
- ✓ *Class "A" fire product.*
- ✓ *Environmentally friendly.*
- ✓ *Payback your investment in just a few months, not years.*

***DO IT YOURSELF:
5 minutes installation***

STEP BY STEP

Step 1

Open packaging and allow attic cover to relax and return to proper shape.



Step 2

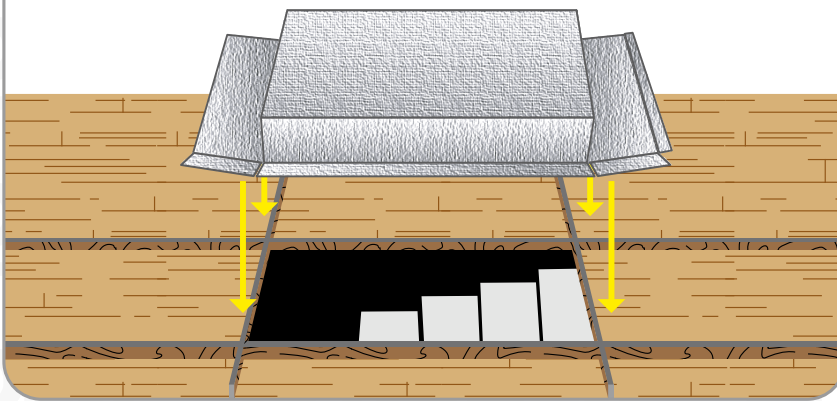
Clean the top of the ceiling joists with a degreaser.



Step 3

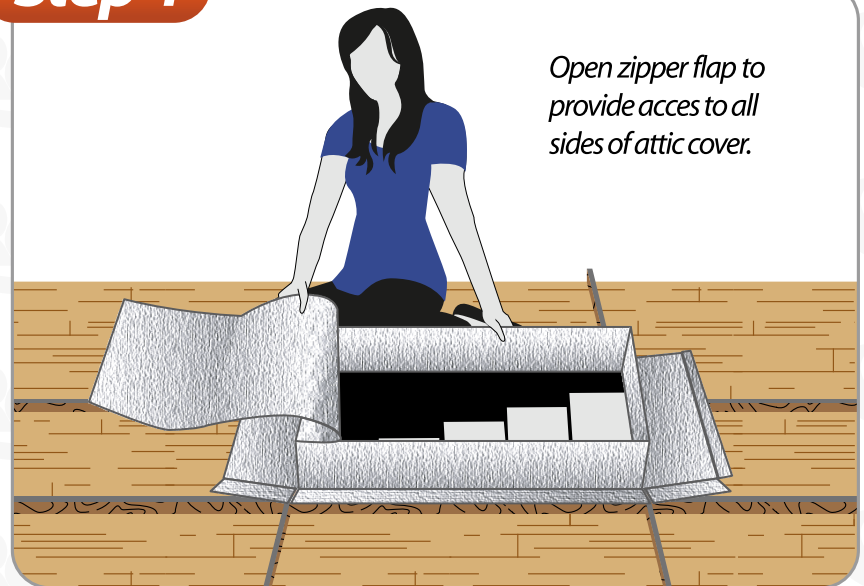
Place side tabs on top of ceiling joists or attic floor.

Make sure to place attic cover with zipper opening at the hinge end of the staircase.



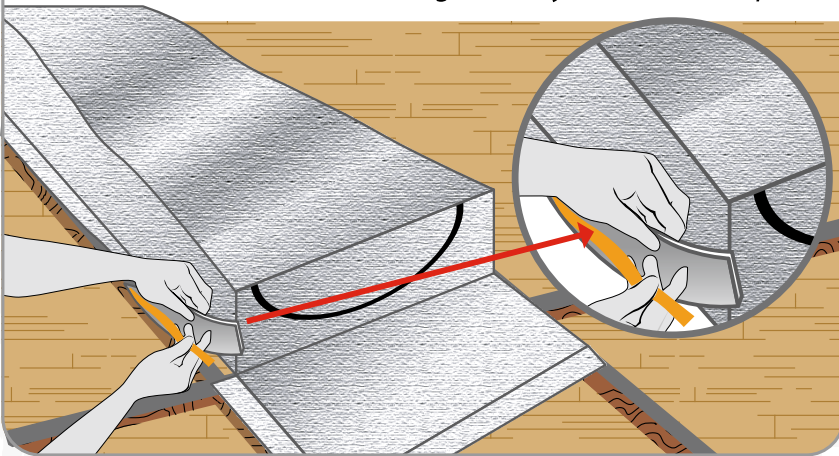
Step 4

Open zipper flap to provide access to all sides of attic cover.



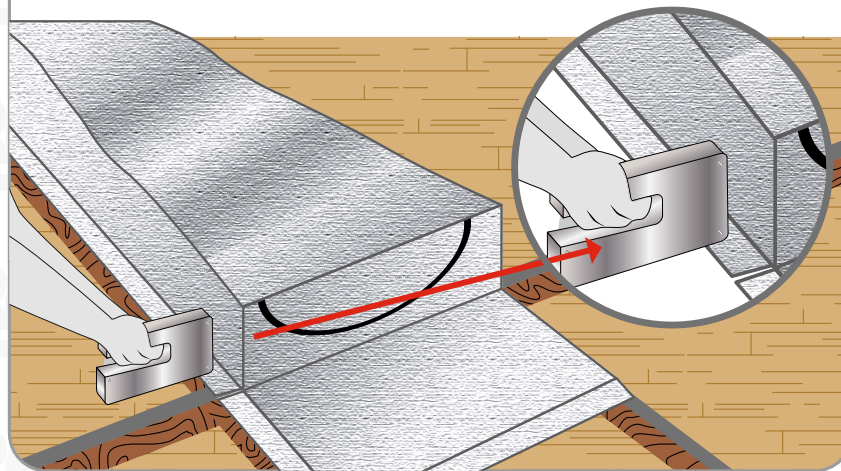
Step 5

Remove one tape at a time and stick to top of ceiling joists and to attic floor forming an airtight seal to your conditioned space.



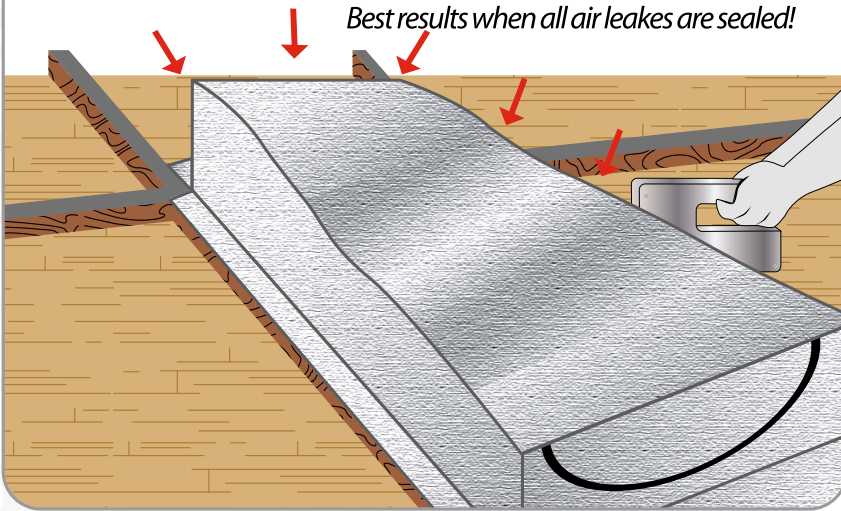
Step 6

Staple tabs along ceiling joists for more secure placement.



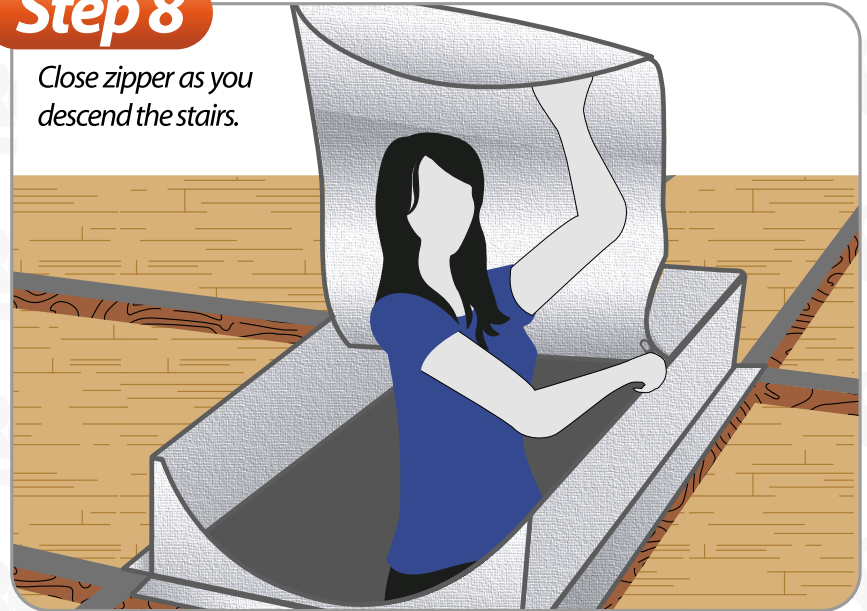
Step 7

Continue former steps until all tape is down and attic is sealed.
Best results when all air leaks are sealed!



Step 8

Close zipper as you descend the stairs.



RETAIL

FRONT



SAVE ENERGY
SAVE MONEY
GREEN PRODUCT
SATISFACTION GUARANTEED



THE REAL SOLUTION FOR YOUR WEAKEST LINK IN YOUR ATTIC DOOR

DO IT YOURSELF

UP OPEN



UP CLOSED



LATERAL 01

**REDUCE UP TO 94%
OF HEAT LOSS
AT YOUR ATTIC DOOR**

ADDED VALUES

- ✓ Easy to handle.
- ✓ No special tools required.
- ✓ Class "A" fire product.
- ✓ Environmentally friendly.
- ✓ Payback your investment in just a few months, not years.

LATERAL 02

**REDUCE UP TO 94%
OF HEAT LOSS
AT YOUR ATTIC DOOR**

ADDED VALUES

- ✓ Easy to handle.
- ✓ No special tools required.
- ✓ Class "A" fire product.
- ✓ Environmentally friendly.
- ✓ Payback your investment in just a few months, not years.

***THE REAL SOLUTION FOR YOUR WEAKEST
LINK IN YOUR ATTIC DOOR***



**ATTIC DOOR
INSULATION**





**ENERGY STAR
HOME SEALING**

EPA recommends sealing air leaks and adding insulation to make your home more comfortable, reduce energy bills, and help our environment



Save our planet saving energy
with Prodex Total
Insulation products





Comfort in harmony with the environment

www.prodexcr.com